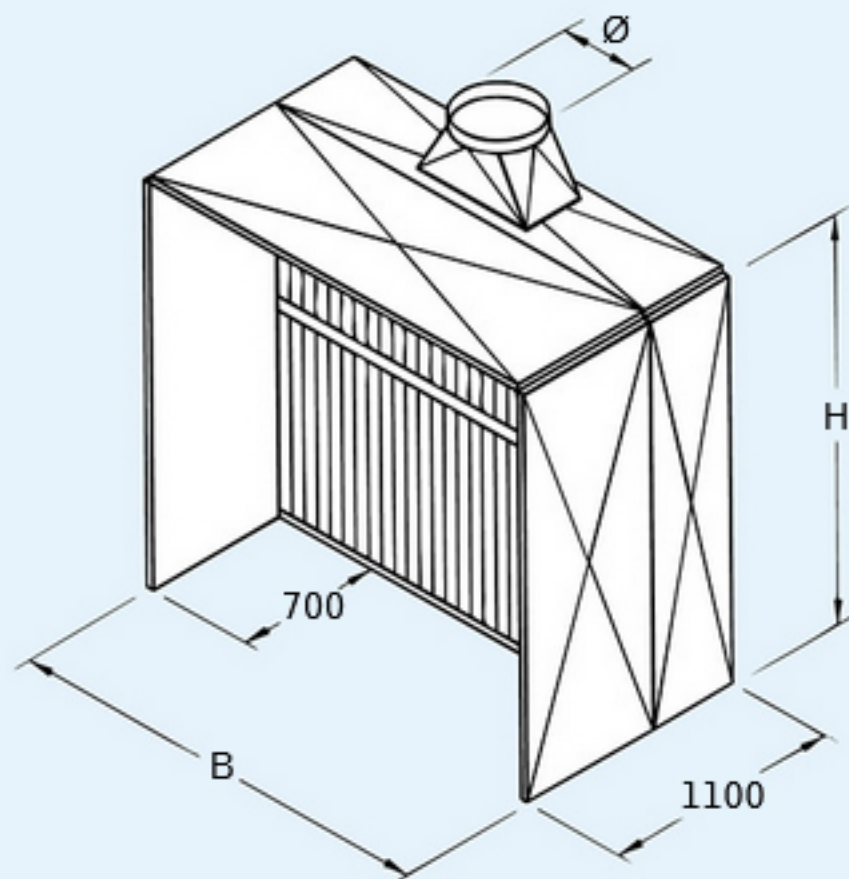


# TECHNICAL DATA

## Spray booth with dry filter



Type	B mm	Booth Number	Wall Number	HF mm	H mm	Air qty m <sup>3</sup> /hr	ø mm
ASB/V 1100 ASB/V 1100 H	1100	14 0000 14 0001	144 100 144 101	1900 2100	2000 2500	3800 4200	300 400
ASB/V 1800 ASB/V 1800 H	1800	14 1000 14 1001	144 200 144 201	1900 2100	2000 2500	6200 6800	400 400
ASB/V 2100 ASB/V 2100 H	2100	14 2000 14 2001	14 5001 14 5002	1900 2100	2000 2500	7200 8000	400 400
ASB/V 2800 ASB/V 2800 H	2800	14 3000 14 3001	14 6001 14 6002	1900 2100	2000 2500	9600 10600	500 500
ASB/V 3500 ASB/V 3500 H	3500	144 000 144 001	14 7001 14 7002	1900 2100	2000 2500	12000 13300	2x400 2x400
ASB/V 4200 ASB/V 4200 H	4200	14 0100 14 0101	14 8001 14 8002	1900 2100	2000 2500	14400 15900	2x500 2x500
ASB/V 4900 ASB/V 4900 H	4900	14 0200 14 0201	14 9001 14 9002	1900 2100	2000 2500	16800 18600	2x500 2x500

We also supply the spray booths as walls without the 700 mm cabin in front. Special measurements according to your wishes may also be supplied. The quantity of air corresponds to  $v=0.5$  m/sec. in the front area of the spray booth.